

Tanaka Illustrated Parts Manual

Model Number:

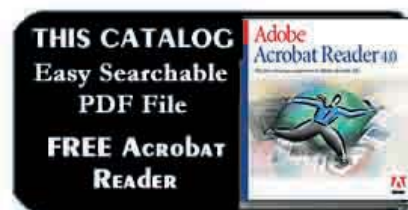
TPS-200/210

POLE SAW ATTACHMENT

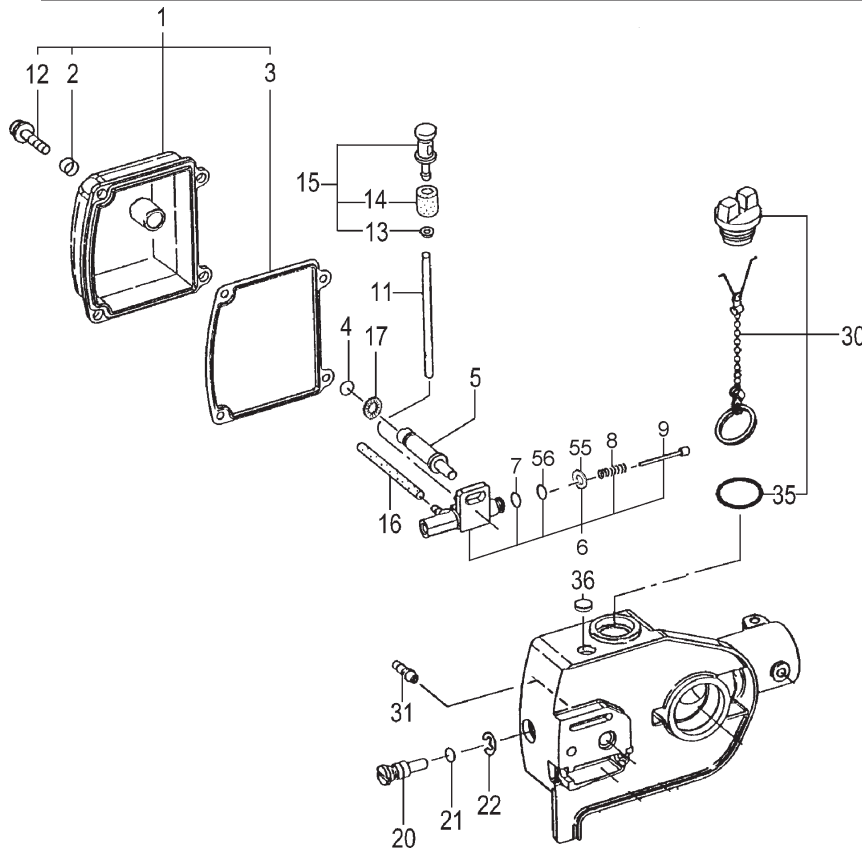
P/N 31777

Rev 000

Date 3-5-08



Nikko Tanaka Engineering U.S.A.,Ltd. • 1028 4th Street SW, Bldg B • Auburn, WA 98001 • Phone: (253) 333-1200 • Fax: (253) 333-1212

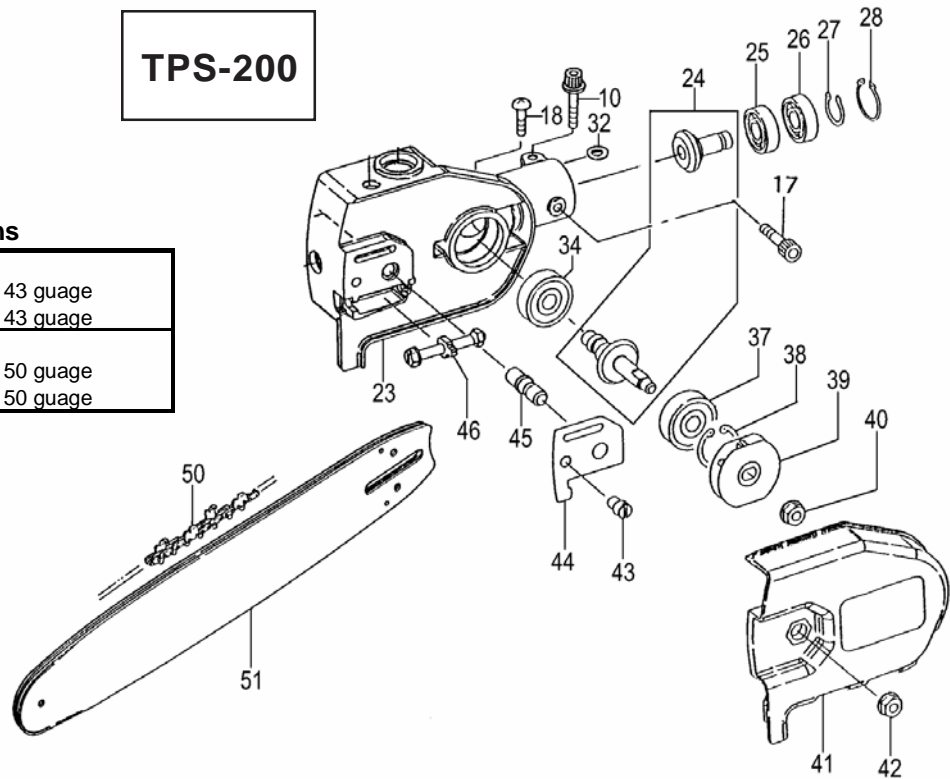


ITEM	PART NUMBER	DESCRIPTION	QTY	COMMENTS
1-1	0413230400	OIL TANK COVER SET	1	
1-2	0313230420	COLLAR 3	4	
1-3	4223230421	GASKET,OIL TANK	1	
1-4	99967005000	O-RING,P5	1	
1-5	3823230420	BOLT,STEP,A	1	
1-6	1443230490	OIL PUMP ASSY	1	
1-7	99967005000	O-RING,P5	1	
1-8	4493230420	SPRING,OIL PUMP	1	
1-9	0733230481	PISTON,OIL PUMP	1	
1-11	7005300506	PIPE,FUEL 3X5X60	1	
1-12	99416040121	SCREW,4X12	4	
1-13	99201050011	WASHER,5	1	
1-14	48732712201	FILTER,OIL	1	
1-15	4863234590	FILTER ASSY,FINE MESH	1	
1-16	7005300507	PIPE,FUEL 3X5X75	1	
1-17	9923008000	NUT,PUSH	1	Y161651~
1-20	5013230421	ADJUSTER,OIL PUMP	1	
1-21	99967005000	O-RING,P5	1	
1-22	99355060001	RING,STOP,6	1	
1-30	6243230492	CAP,OIL TANK	1	
1-31	0823230420	BANJO,OIL PUMP	1	
1-35	99967015000	O-RING,P15	1	
1-36	5660406320	COVER,AIR VENT	1	~U231876
1-55	99201020011	WASHER,2	1	V196951~
1-56	99967001413	O-RING	1	V196951~

TPS-200

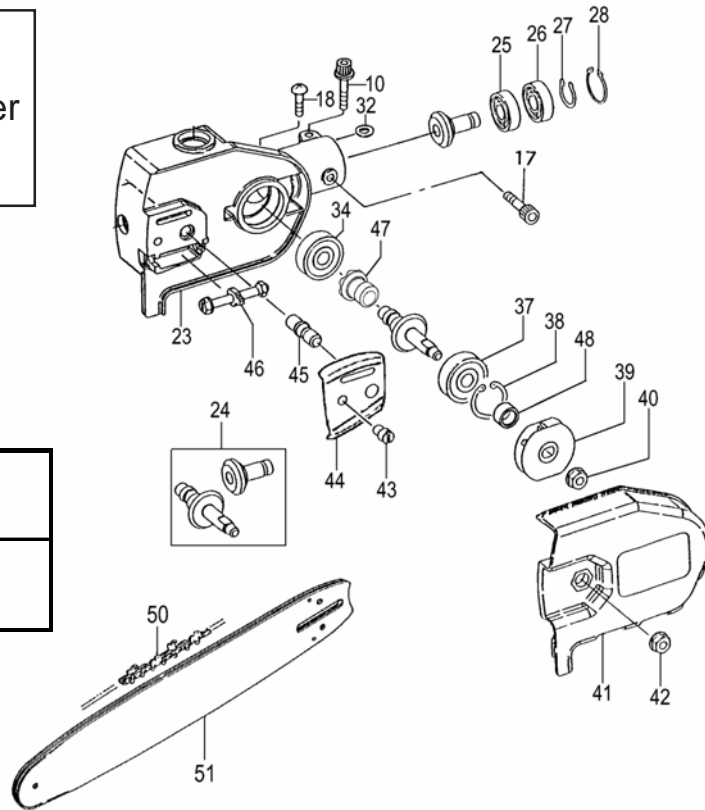
Bar & Chain Options

N/A	10" Bar & Chain Kit	
110.32304.20	10" Bar	43 gauge
127.32304.20	10" Chain	43 gauge
Part No 844001	12" Bar & Chain Kit	
120SDEA041	12" Bar	50 gauge
91VG045X	12" Chain	50 gauge



ITEM	PART NUMBER	DESCRIPTION	QTY	COMMENTS
2-10	99461050224	BOLT,HEX HOLE 5x22/S	1	
2-17	99051050103	BOLT,HEX.HOLE,5X10	1	
2-18	99011060061	SCREW,6X6	1	~V095519
2-18	99431060081	SCREW,6X8	1	V095520~
2-23	0193230420	CASE,GEAR	1	~U231876
2-23	0193230422	CASE,GEAR	1	U231877~
2-24	3013230400	SET,GEAR,PINION	1	
2-25	99961609000	BEARING,BALL,#609	1	
2-26	99961609002	BEARING,BALL,#609Z	1	
2-27	99350009002	RING,STOP,C9	1	
2-28	99351024002	RING,STOP,C-24,IN	1	
2-32	78600601200	WASHER,RECOIL STARTER	1	
2-34	99961608000	BEARING,BALL,#608	1	
2-37	99961638002	BEARING,BALL 638Z	1	
2-38	99351028002	RING,STOP,IN,C-28	1	
2-39	3193230480	SPROCKET,3/8	1	
2-40	99182060001	NUT,FLANGE,6	1	
2-41	0393230480	COVER,SIDE	1	
2-42	12132600200	NUT,CLAMP,BAR	1	
2-43	1223230420	PIN,KNOCK,GUIDE BAR	1	
2-44	4613230420	PLATE,GUIDE	1	
2-45	1013230420	BOLT,GUIDE BAR	1	
2-46	1163230490	TENSIONER,CHAIN	1	
2-50	1273230420	CHAIN,10"	1	
2-51	1103230420	BAR,10"	1	

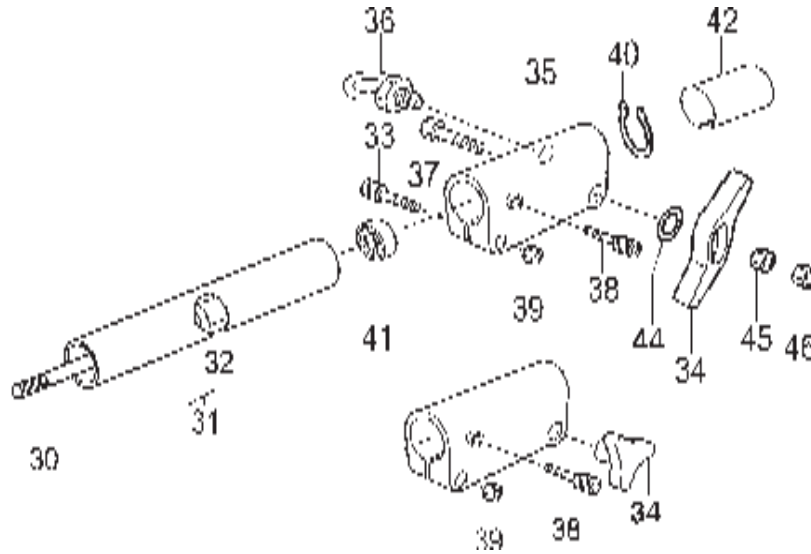
TPS-210
After Serial Number
Z042301



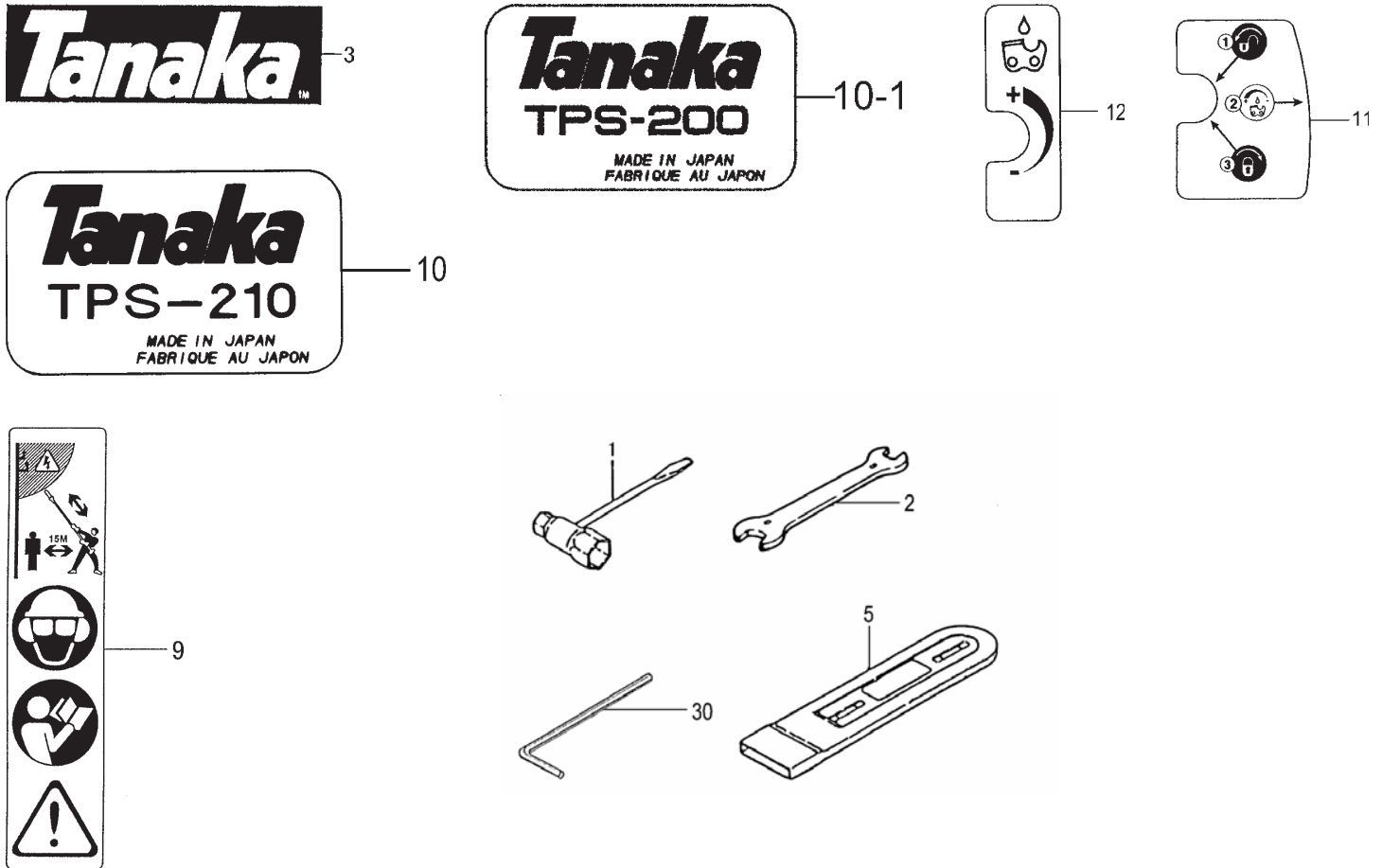
Bar & Chain Options

N/A	10" Bar & Chain Kit	
110.32304.20	10" Bar	43 guage
127.32304.20	10" Chain	43 guage
Part No 844001	12" Bar & Chain Kit	
120SDEA041	12" Bar	50 guage
91VG045X	12" Chain	50 guage

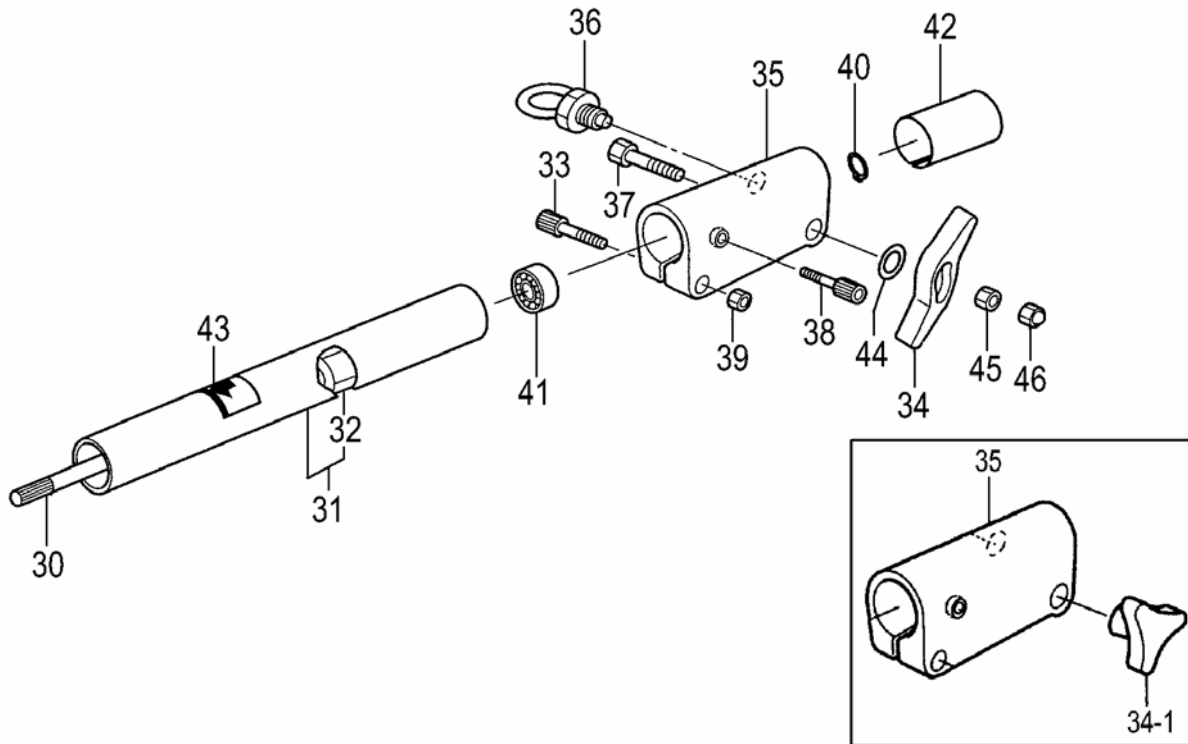
ITEM	PART NUMBER	DESCRIPTION	QTY	COMMENTS
3-10	99461050224	BOLT,HEX HOLE 5x22/S	1	
3-17	99051050103	BOLT,HEX.HOLE,5X10	1	
3-18	99431060081	SCREW,6X8	1	
3-23	0193230422	CASE,GEAR	1	
3-24	3013234400	GEAR & PINION SET	1	
3-25	99961609000	BEARING,BALL,#609	1	
3-26	99961609002	BEARING,BALL,#609Z	1	
3-27	99350009002	RING,STOP,C9	1	
3-28	99351024002	RING,STOP,C-24,IN	1	
3-32	78600601200	WASHER,RECOIL STARTER	1	
3-34	99961627000	BEARING,BALL	1	
3-37	99961638002	BEARING,BALL 638Z	1	
3-38	99351028002	RING,STOP,IN,C-28	1	
3-39	3193230480	SPROCKET,3/8	1	
3-40	99182060001	NUT,FLANGE,6	1	
3-41	0393230480	COVER,SIDE	1	
3-42	12132600200	NUT,CLAMP,BAR	1	
3-43	1223234421	KNOCK PIN	1	
3-44	4613234420	PLATE,GUIDE	1	
3-45	1013234421	BOLT,CHAIN TIGHTENING	1	
3-46	1163230490	TENSIONER,CHAIN	1	
3-47	4523234420	CAM	1	
3-48	0313234420	COLLAR	1	
3-50	1273230420	CHAIN,10"	1	
3-51	1103230420	BAR,10"	1	



ITEM	PART NUMBER	DESCRIPTION	QTY	COMMENTS
4-30	3433233180	SHAFT,DRIVE	1	
4-31	3413233180	PIPE,DRIVE SHAFT	1	
4-32	34737601900	BUSHING	1	
4-33	99461050254	BOLT,HEX HOLE,5X25S	1	
4-34	5123370081	KNOB,HANDLE	1	Before S/N V021700
4-34	5123338P20	KNOB,HANDLE	1	S/N V021701 and after
4-35	2803233120	CASE,JOINT	1	
4-36	3523233180	PIN,LOCK	1	
4-37	99021060351	BOLT,6X35	1	Before S/N V021700
4-37	99021060501	BOLT,6X50	1	S/N V021701 and after
4-38	99051050103	BOLT,HEX.HOLE,5X10	1	
4-39	99101050041	NUT,5	1	
4-40	99350010002	RING,STOP,C-10 EX	1	
4-41	99961690001	BEARING,BALL,#6900ZZ	1	
4-42	34833130200	COLLAR,B	1	
4-44	35902103200	WASHER,CLUTCH,B	1	S/N V021701 and after
4-45	99101060011	NUT,6	1	S/N V021701 and after
4-46	99143060023	NUT,6	1	S/N V021701 and after



ITEM	PART NUMBER	DESCRIPTION	QTY	COMMENTS
5-1	88332600200	SPANNER,COMBO	1	
5-2	80120000200	SPANNER,8X10	1	V095520~
5-3	91505015200	DECAL,SYMBOL	1	
5-5	9413233320	COVER,BAR,10",BLACK	1	
5-9	9073230420	DECAL	1	
5-10	9293249820	DECAL,TPS-210	1	Z042301~
5-10-1	9293233120	DECAL,SYMBOL,TPS-200	1	~Z042300
5-11	9223234520	DECAL,OIL ADJUSTMENT	1	
5-12	9213234520	DECAL,OIL	1	
5-30	81320000200	WRENCH,HEX,4	1	



ITEM	PART NUMBER	DESCRIPTION	24"	36"	COMMENTS
30	3433233180	SHAFT,DRIVE	1		
30	3433003980	SHAFT,DRIVE		1	
31	3413230881	PIPE,DRIVE SHAFT	1		~9085369
31	3413230882	PIPE,DRIVE SHAFT	1		9085370~
31	3413003980	PIPE,DRIVE SHAFT		1	
32	3473730090	BUSHING ASSY	1		
32	3473730090	BUSHING ASSY		2	
33	99461050254	BOLT,HEX HOLE,5X25S	1	1	
34-1	5123370081	KNOB,HANDLE	1		~5004220
34	5123338P20	KNOB,HANDLE	1	1	5004221~
35	2803233122	COUPLING,TPS	1	1	
36	3523233180	PIN,LOCK	1	1	
37	99021060351	BOLT,6X35	1		~5004220
37	99021060504	BOLT,6X50	1	1	5004221~
38	99051050103	BOLT,HEX.HOLE,5X10	1	1	
39	99101050041	NUT,5	1	1	
40	99350010002	RING,STOP,C-10 EX	1	1	
41	99961690001	BEARING,BALL,#6900ZZ	1	1	
42	3483313020	COLLAR,B	1	1	
43	92337400200	DECAL,LEVEL	1	1	
44	3590210320	WASHER,CLUTCH,B	1	1	
45	99101060011	NUT,6	1	1	5004221~
46	99142060012	NUT,CAP 6	1	1	5004221~